

JORDAN'S POINT PARK

Concept Review

October 12, 2023

AECOM





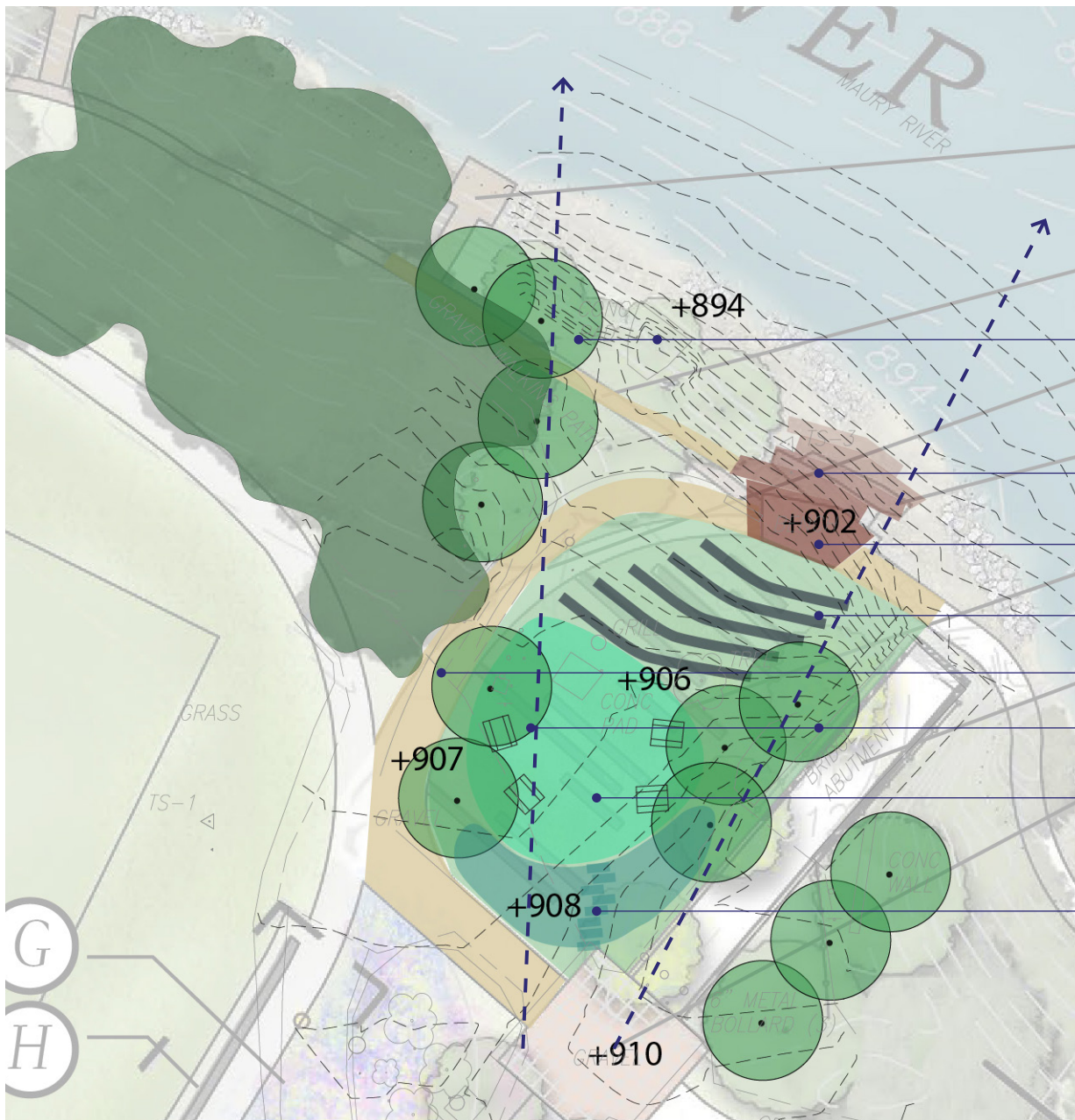
THREE SELECTED AREAS FOR SCHEMATIC DESIGN

JORDAN'S POINT PARK



- Adding too many trees along the river will block the view
- Existing wall blocks the view to the east
- Existing slope is relatively gentle close to future entry plaza and it gets steep towards the river and the existing wall (yellow highlighted area)

THE OVERLOOK



Limited Trees along the River to Open the View

Stone Steps Leading to Future Riverwalk

Flat Stone Paved Landing Area

18" Wide, 15"- 20" Tall Concrete Seat Wall

5' to 10' Wide Gravel Path with a Slope Less than 5%

Tall Trees to Frame the View

Open Lawn with Picnic Tables under Trees

Butterfly Garden Framing Future Entry Plaza

- Place terraced seat walls close to the riverfront at the sloped area
- Slightly angle seat walls to follow existing contour lines where the view is blocked by existing wall
- Less trees along riverfront to open up views to the river
- Extend butterfly garden to frame entry plaza and provide stormwater treatment opportunity

THE OVERLOOK - PLAN



Path | Butterfly Garden | Open Lawn | Terraced Seat Wall | Terraced Stone Steps | River Bank | Maury River

THE OVERLOOK - SITE SECTION

JORDAN'S POINT PARK



Concrete Seat Wall



Gravel Pathway



Butterfly Garden



Terraced Stone at Riverfront

THE OVERLOOK - REFERENCE IMAGES



GRAVEL SERVICE ROAD AND PARKING

JORDAN'S POINT PARK



Gravel Driveway



Parking Lot - Concrete Permeable Paver with Grass or Pea Gravel



GRAVEL SERVICE ROAD AND PARKING - MATERIAL PALETTE



Crushed Brick Paving or Tan Color Crushed Stone Paving to Define Picnic Area



Poly Lumber Picnic Table with Benches Attached



Wood Picnic Table with Benches Attached

PICNIC AREA



Nyssa sylvatica - Black Gum



Gymnocladus dioica - Kentucky Coffee Tree



Cercis canadensis - Eastern Redbud



Butterfly Milkweed



Summer Phlox



Joe Pye Weed 'Little Joe'



New York Aster

PLANTING PALETTE

JORDAN'S POINT PARK

JORDAN'S POINT PARK



SCHEMATIC DRAWINGS FOR GRAVEL SERVICE ROAD, PICNIC AREA AND RIVERSIDE TIERED SEATING AT JORDAN'S POINT PARK, CITY OF LEXINGTON, VIRGINIA



Source/Copyright: ESRI StreetMap NA

LOCATION MAP

SHEET INDEX

- L100 - OVERALL SITE PLAN
- L101 - SITE PLAN
- L102 - SITE PLAN
- L103 - SITE PLAN
- L201 - SITE DETAILS
- L202 - PLANTING DETAILS

PLAN REVISIONS -

SHEET
G100

JORDAN'S POINT PARK
LEXINGTON, VIRGINIA

DATE: 11/15/2023
ENGINEER: MT
CAD: MT
CHECKED: MA
JOB#:

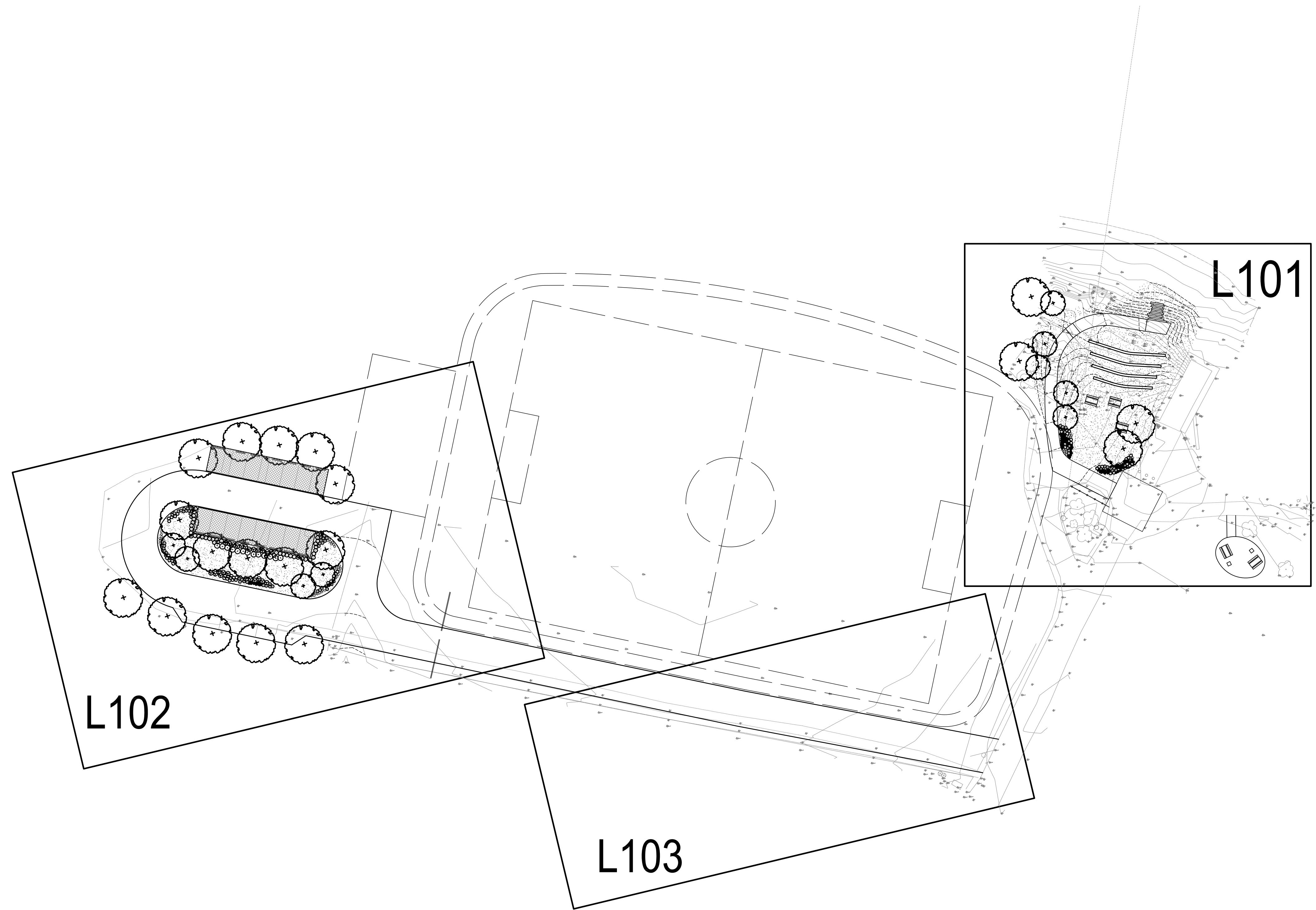
3101 WILSON BLVD
SUITE 900
ARLINGTON, VA 22201
TEL 703 682 4900
FAX 703 682 4901
www.aecom.com

SCALE
COVER SHEET



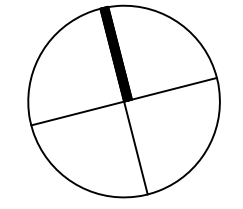
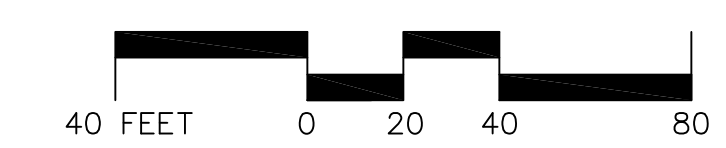
GENERAL NOTES

1. THE SURVEY IS THE RESULT OF AN ACTUAL FIELD SURVEY PERFORMED BY AECOM ON AUGUST 31, 2023. NO SUBSURFACE UTILITY LOCATION OR DETERMINATION WAS PERFORMED DURING THE COURSE OF THE SURVEY. ANY UNDERGROUND UTILITY LOCATIONS SHOWN SHOULD BE CONSIDERED APPROXIMATE.
2. GRADING OPERATIONS MUST ENSURE THAT POSITIVE DRAINAGE OCCURS ON SITE TO PREVENT PONDING OR DRAINAGE PROBLEMS AND ADJACENT PROPERTIES.
3. CONCRETE WALL FOOTING SHALL BE DESIGNED BY STRUCTURAL ENGINEER.
4. ALL ROADWAYS, DRIVEWAYS, STORM SEWERS, SANITARY SEWERS, NATURAL GAS, AND ELECTRICAL AND COMMUNICATION LINES SHALL BE DESIGNED BY AN ENGINEER LICENSED/REGISTERED OR OTHERWISE LEGALLY PERMITTED TO CREATE DESIGN DRAWINGS FOR THE ABOVE REFERENCED UTILITIES TO THE CITY OF LEXINGTON STANDARDS AND ANY APPLICABLE REGULATIONS.
5. A TREE PROTECTION PROGRAM SHALL BE AUTHORIZED BY A CERTIFIED ARBORIST.
6. ADDITIONAL SIGNAGE OR SITE FURNISHING THAT ARE IMPACTED BY PROPOSED SITE DESIGN SHALL BE REMOVED OR RELOCATED PER OWNER'S DIRECTION.
7. FUTURE SITE ELEMENTS ARE NOT IN CURRENT SCOPE AND ARE FOR REFERENCE ONLY.
8. C.C. - CENTER OF CIRCLE
P.T. - POINT OF TANGENT
TW - TOP OF WALL
BW - BOTTOM OF WALL
BS - BOTTOM OF STAIR



1 OVERALL SITE PLAN
SCALE: 1" = 40'

NOT FOR CONSTRUCTION



PLAN REVISIONS -

SHEET
L100

SCALE
1" = 40'

JORDAN'S POINT PARK
LEXINGTON, VIRGINIA

OVERALL SITE PLAN

DATE: 11/15/2023

ENGINEER: MT

CAD: MT

CHECKED: MA

JOB#:

3101 WILSON BLVD
SUITE 900
ARLINGTON, VA 22201
TEL 703 682 4900
FAX 703 682 4901
www.aecom.com

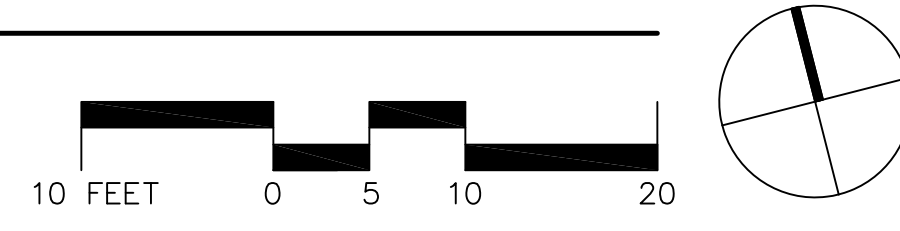
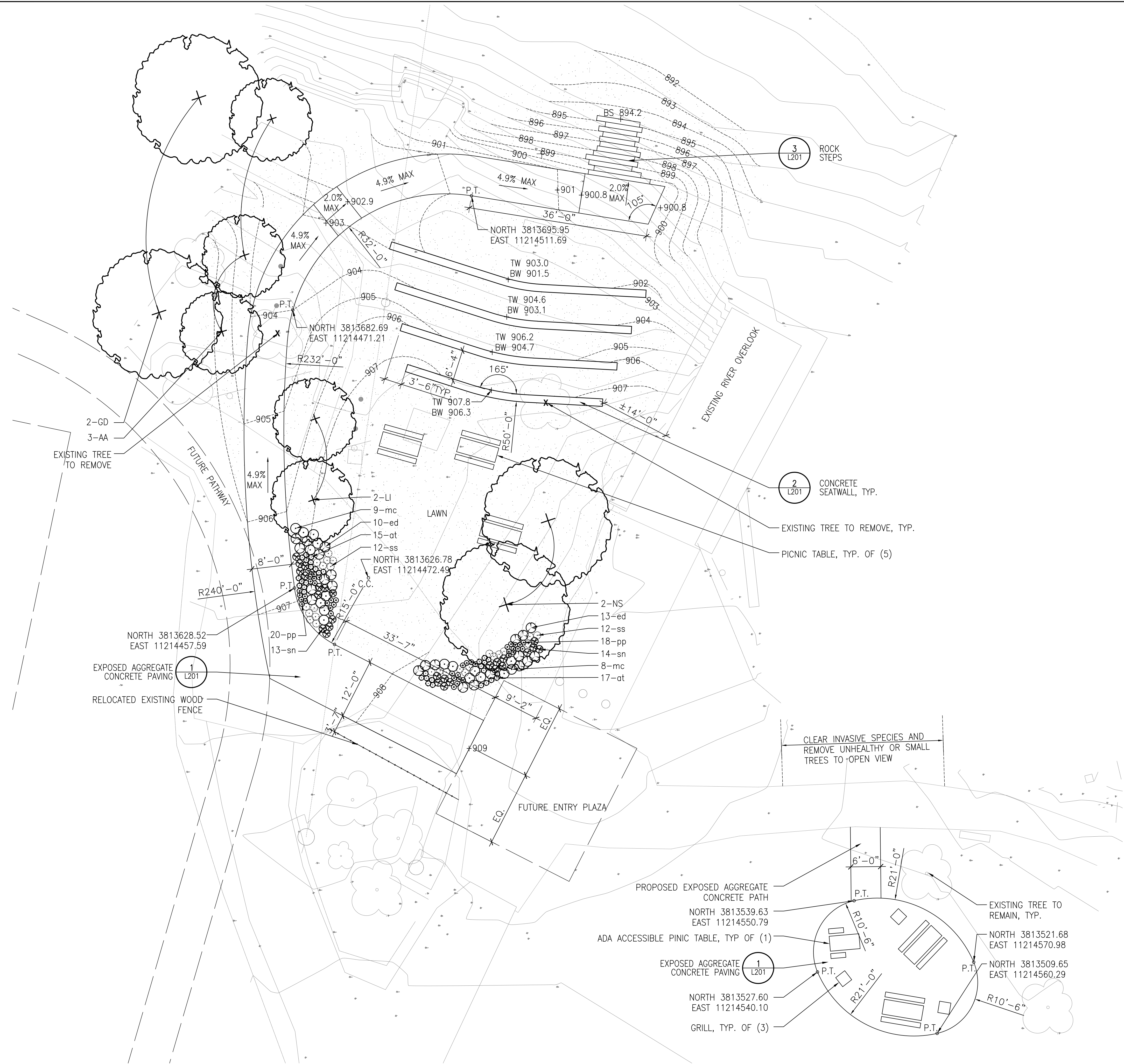


\\na.aecomnet.com\dfs\AMER\kboonke-USRINK1\DCS\Projects\BL\60713357\902_CAD_GIS\910_CAD\ASHEETS\L101_Layout and Materials Planning Nov 17, 2023 - 2:09pm Plot By: Taom

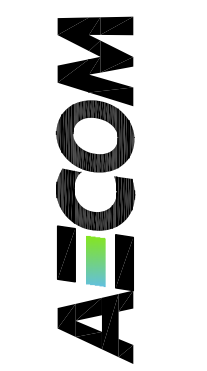
\\na.aecom.net.com\dfs\amer\board\USPRINT\DCS\Projects\BL\6073357\902_CAD_GIS\910_CAD\LA\SHEETS\LL101_Layout and Materials Plan.dwg Nov. 29, 2023 - 10:50pm Plot By: Tuck

NOT FOR CONSTRUCTION

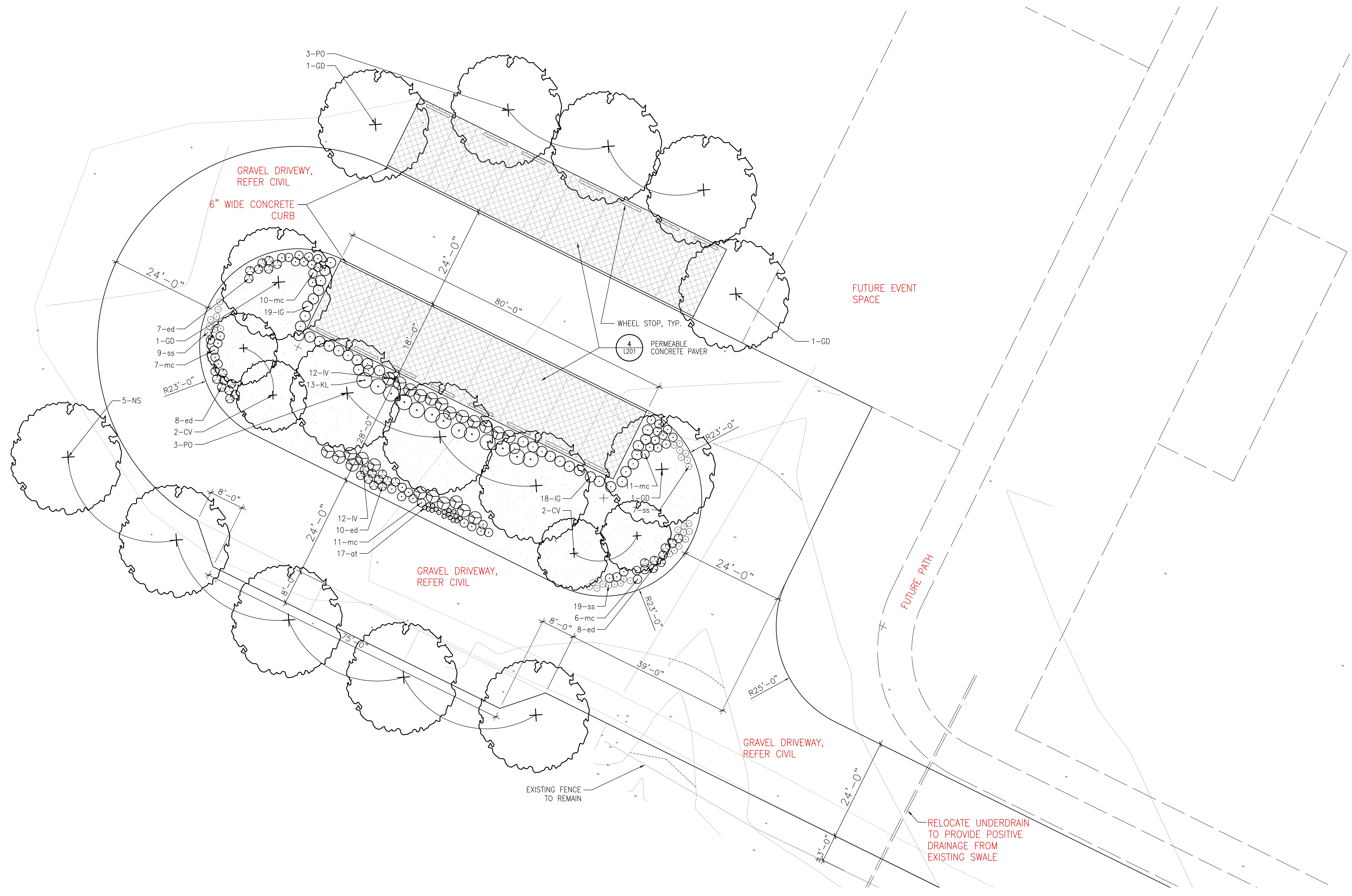
1 RIVERSIDE TIERED SEATING AND PICNIC AREA
SCALE: 1" = 10'



DATE: 11/15/2023	ENGINEER: MT	ENGINEER: MT	PLAN REVISIONS: -
CAD: MT	CHECKED: MA	SHEET: L101	SCALE: 1" = 10'
JOB#:		JORDAN'S POINT PARK LEXINGTON, VIRGINIA	
3101 WILSON BLVD SUITE 900 ARLINGTON, VA 22201 TEL 703 682 4900 FAX 703 682 4901 www.aecom.com		SITE PLAN	

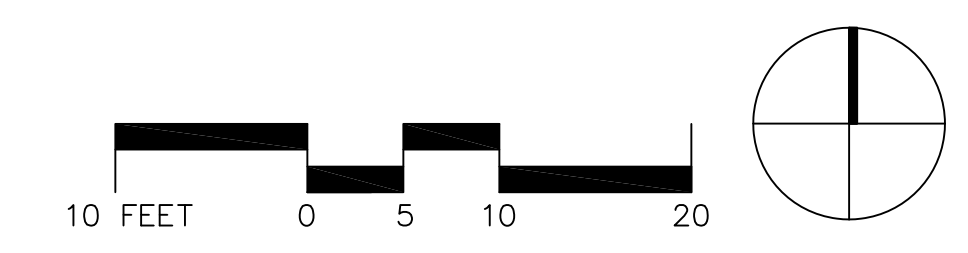


\\na.aecom.net\com\dfs\amer\workspace\USRINK\DCS\Projects\BL\60713357\900_CAD_GIS\910_CAD\ASSETS\1101_Layout and Materials Planning Nov. 29, 2023 - 11:07pm Plot By: Tsouk



1 PARKING LOT AND GRAVEL DRIVEWAY
SCALE: 1" = 10'

NOT FOR CONSTRUCTION



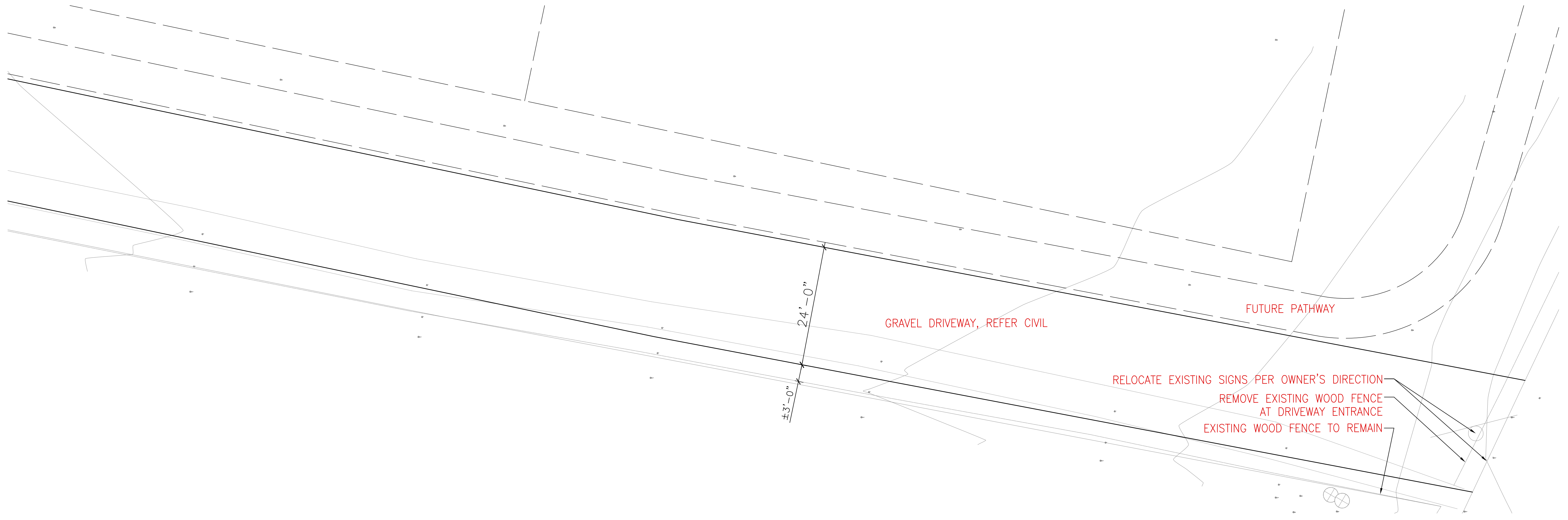
DATE: 11/15/2023		ENGINEER: MT		SHEET: L102		PLAN REVISIONS: -	
CAD: MT		CHECKED: MA		SCALE: 1" = 10'			
JOB#:		JORDAN'S POINT PARK		LEXINGTON, VIRGINIA			
3101 WILSON BLVD SUITE 900 ARLINGTON, VA 22201 TEL 703 682 4900 FAX 703 682 4901 www.aecom.com		AECOM		SITE PLAN			

\\na.aecom.net.com\NFIS\AMER\Boardroom\Projects\BEL\6075357\902_CAD_GIS\910_CAD\ASSETS\LI\01 Layout and Materials Planning Nov 29, 2023 - 11:46am Plot By: TacM

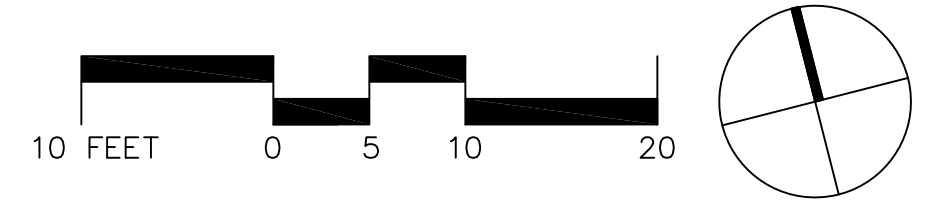
1

GRAVEL DRIVEWAY

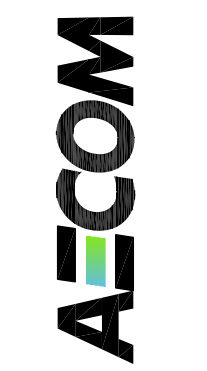
SCALE: 1" = 10'

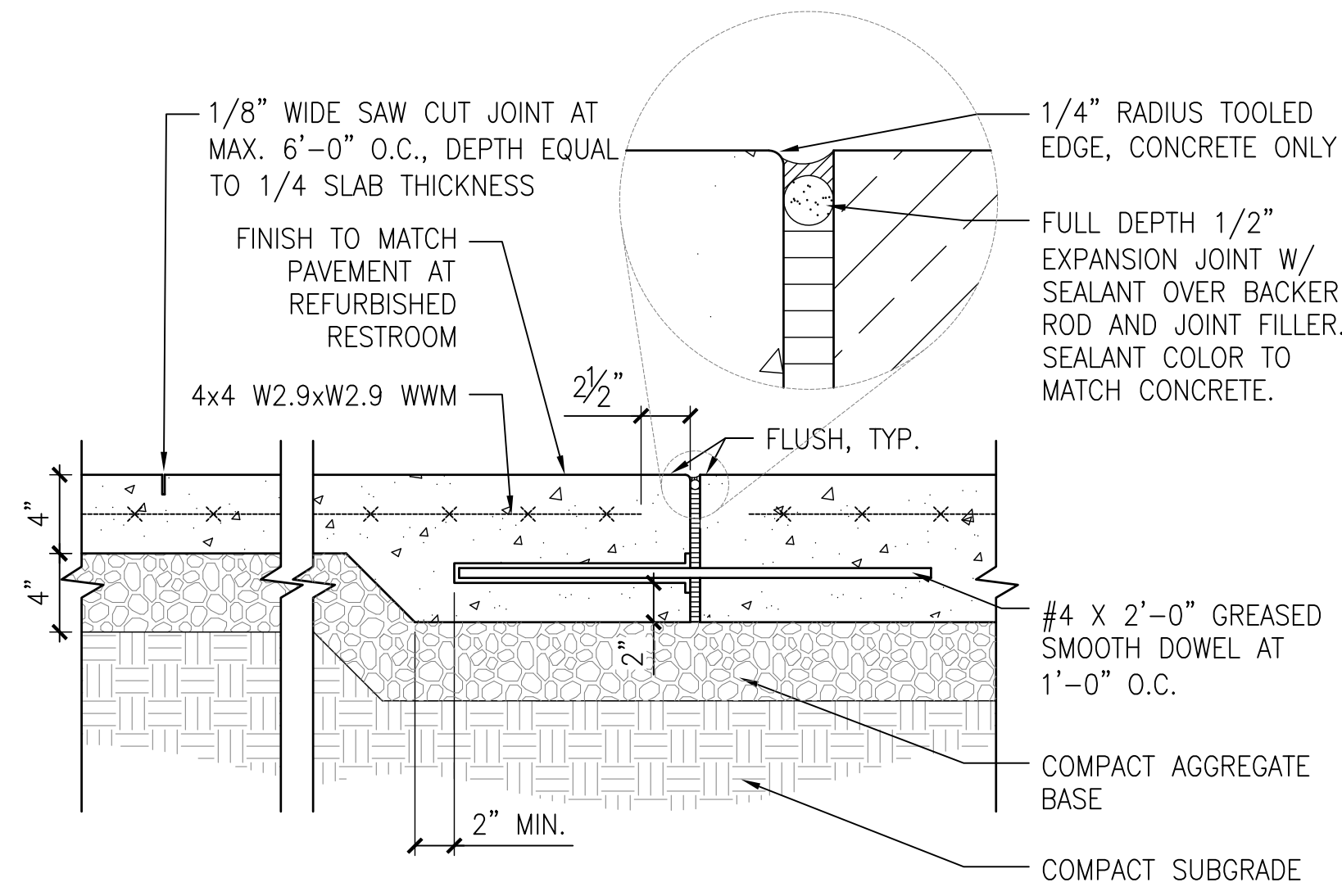


NOT FOR CONSTRUCTION

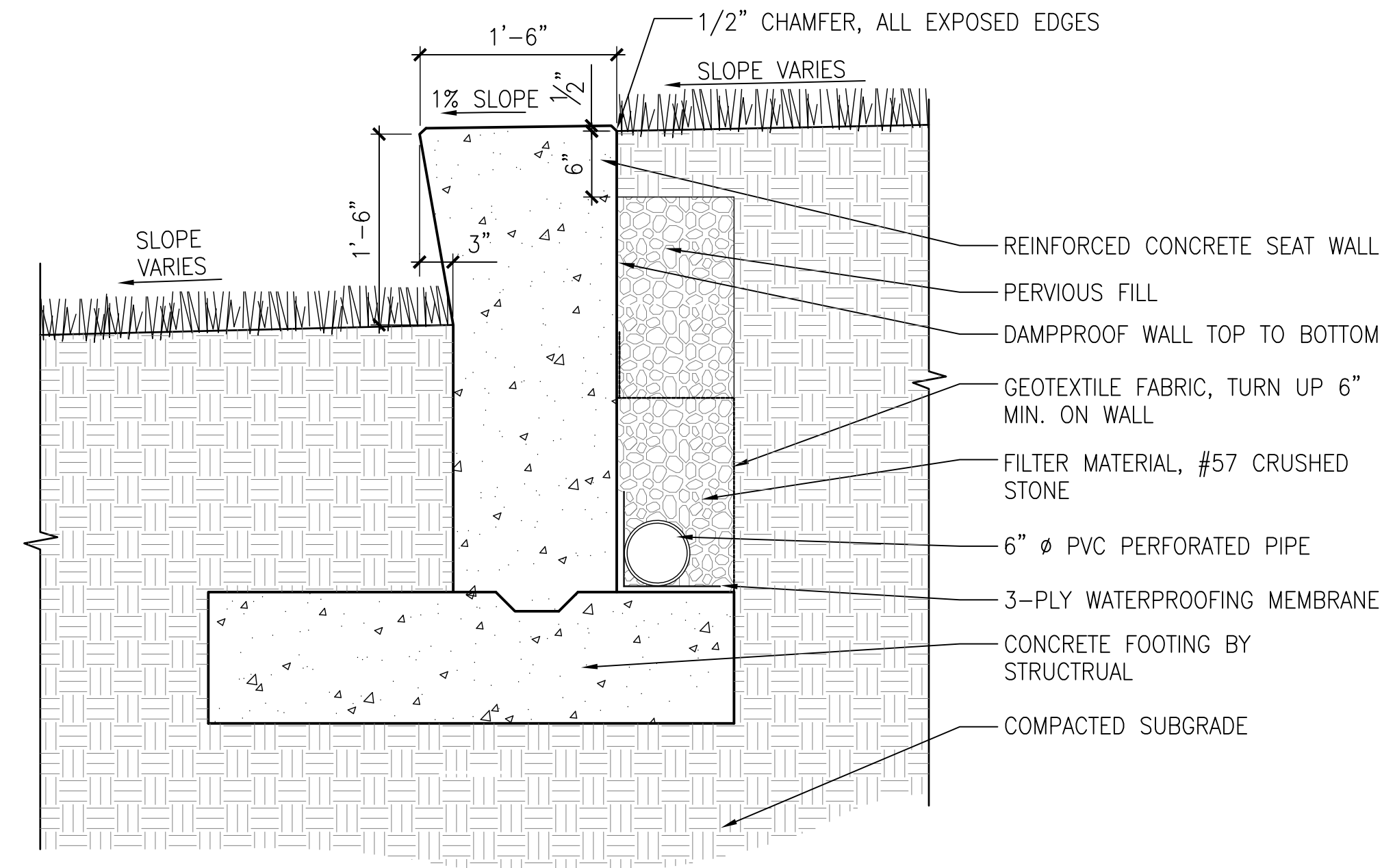


<p>3101 WILSON BLVD SUITE 900 ARLINGTON, VA 22201 TEL 703 682 4900 FAX 703 682 4901 www.aecom.com</p>	<p>DATE: 11/15/2023</p>	<p>ENGINEER: MT</p>	<p>PLAN REVISIONS -</p>
	<p>CAD: MT</p>	<p>CHECKED: MA</p>	<p>SHEET L103</p>
<p>JORDAN'S POINT PARK LEXINGTON, VIRGINIA</p>		<p>SITE PLAN</p>	<p>SCALE 1" = 10'</p>
		<p>JOB#</p>	

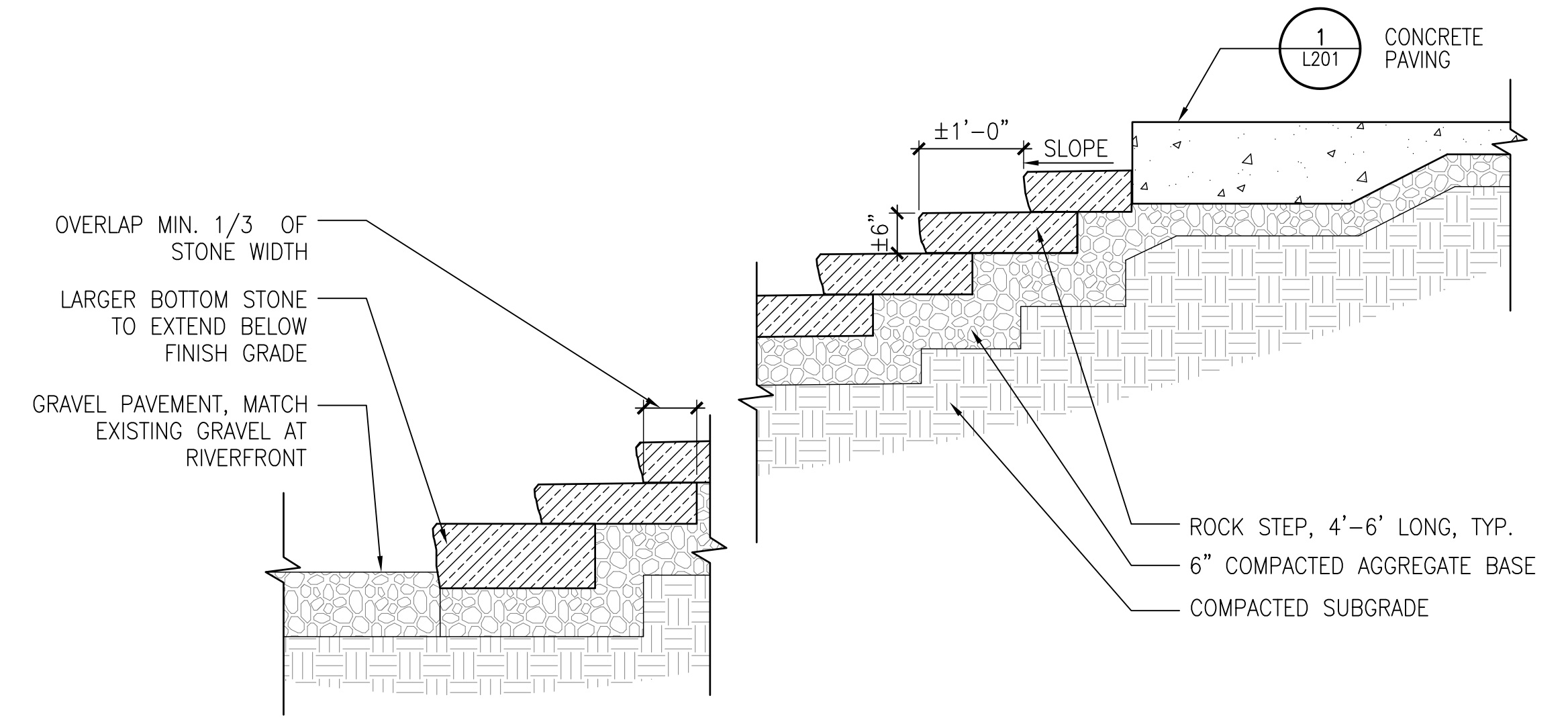




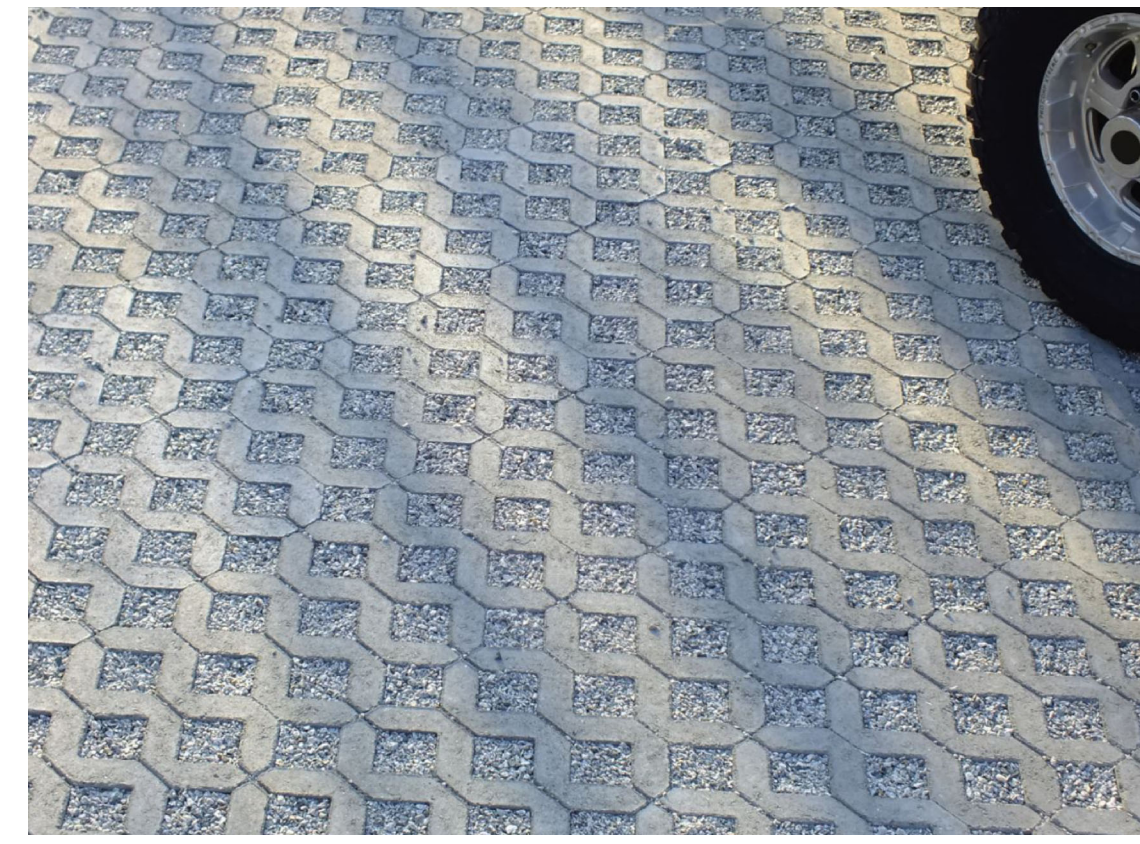
1 EXPOSED AGGREGATE CONCRETE PAVING
SCALE: 1-1/2" = 1'-0"
DT-PVMT-CONC.dwg



2 CONCRETE SEATWALL
SCALE: 1" = 1'-0"
DT-WALL-CONC.dwg



3 ROCK STEPS
SCALE: 3/4" = 1'-0"
DT-STEPS_STONE.dwg



CONCRETE GRID PAVER FILLED WITH PEA GRAVEL
INSTALL PER MANUFACTURER'S RECOMMENDATION

4 CONCRETE PERMEABLE PAVER
SCALE: N.T.S.
DT-CONC PERMEABLE.dwg

PLAN REVISIONS -

SHEET L201

SCALE

JORDAN'S POINT PARK
LEXINGTON, VIRGINIA

SITE DETAILS

DATE: 11/15/2023

ENGINEER: MT

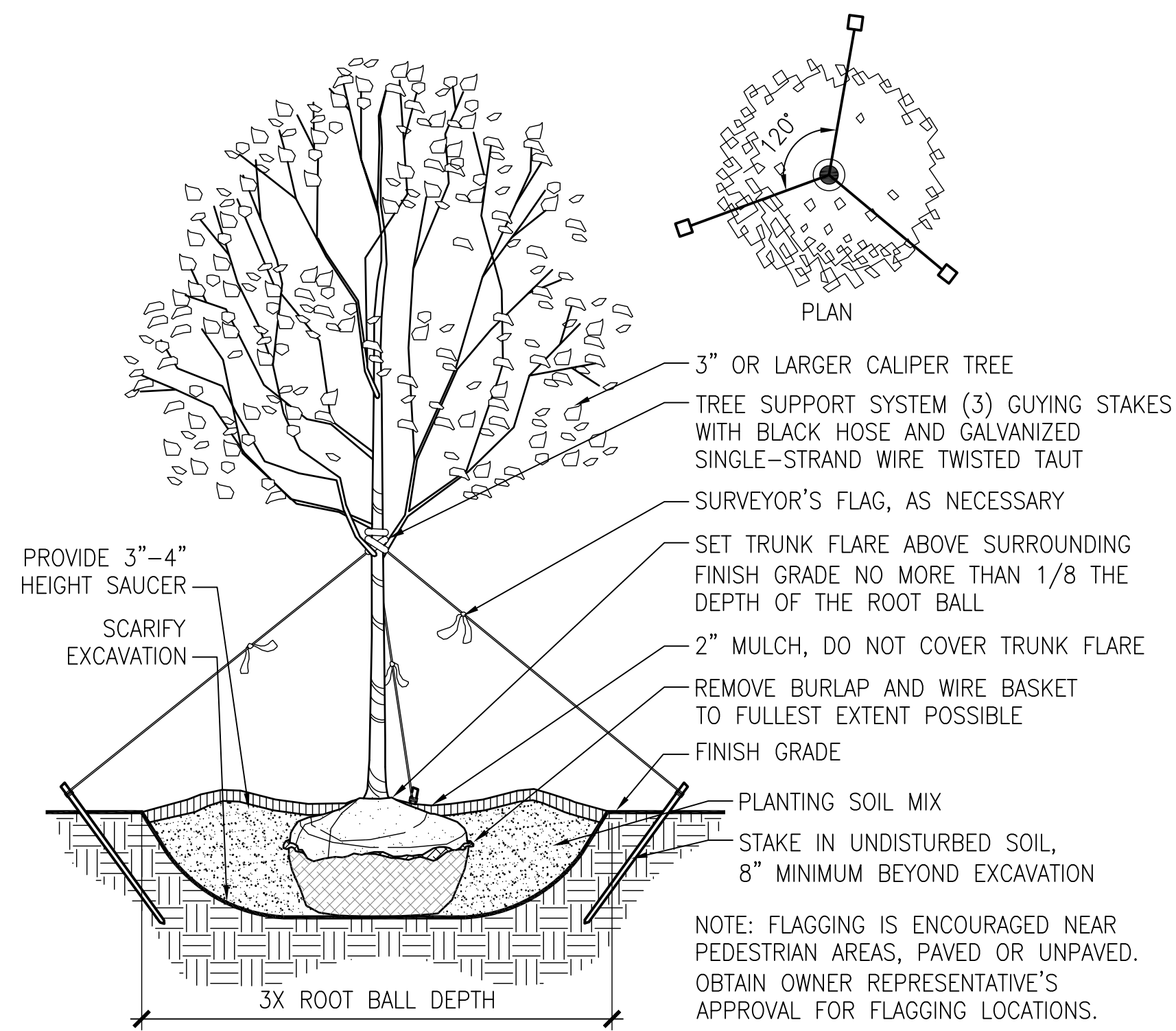
CAD: MT

CHECKED: MA

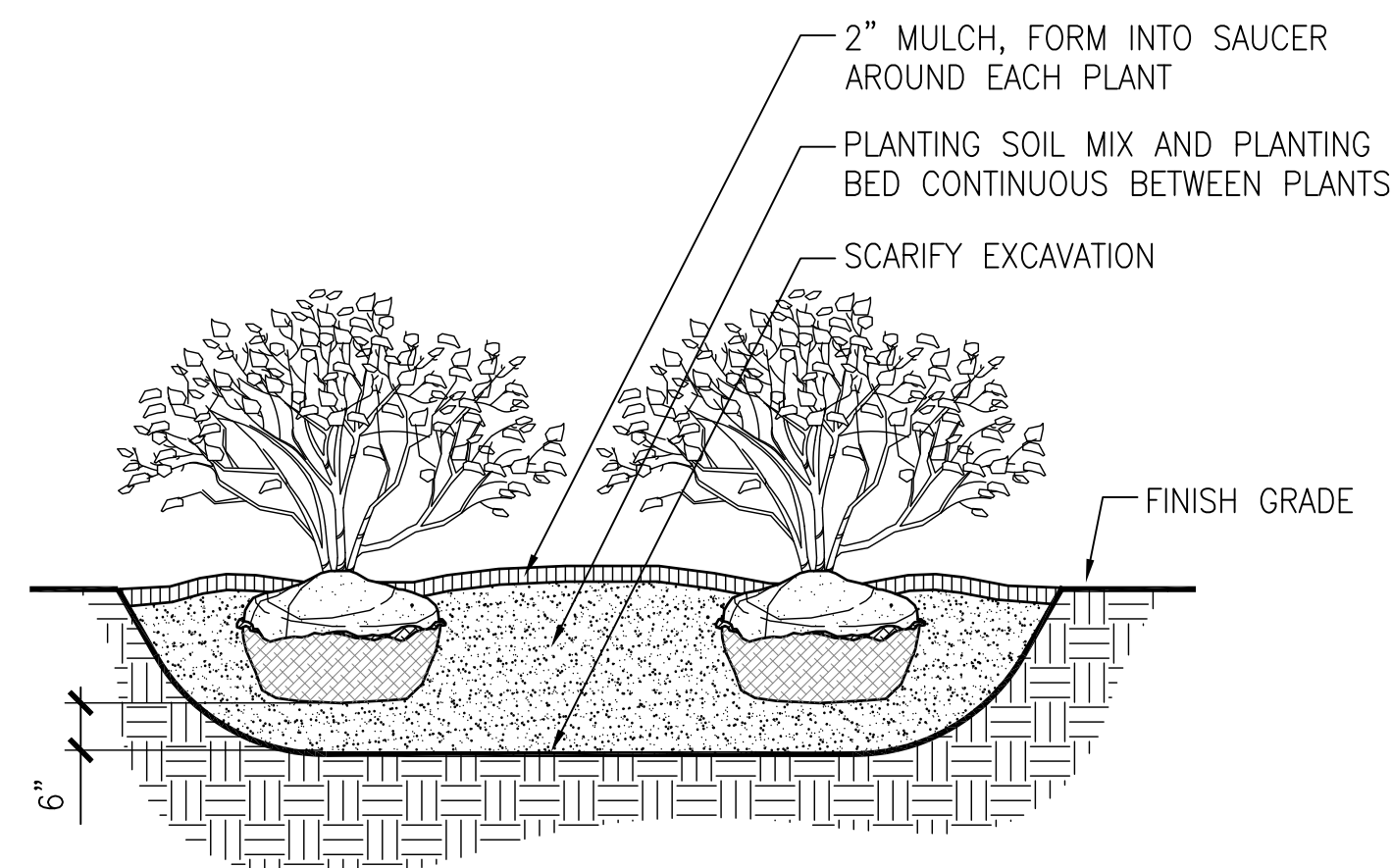
JOB#

3101 WILSON BLVD
SUITE 900
ARLINGTON, VA 22201
TEL 703 682 4900
FAX 703 682 4901
www.aecom.com

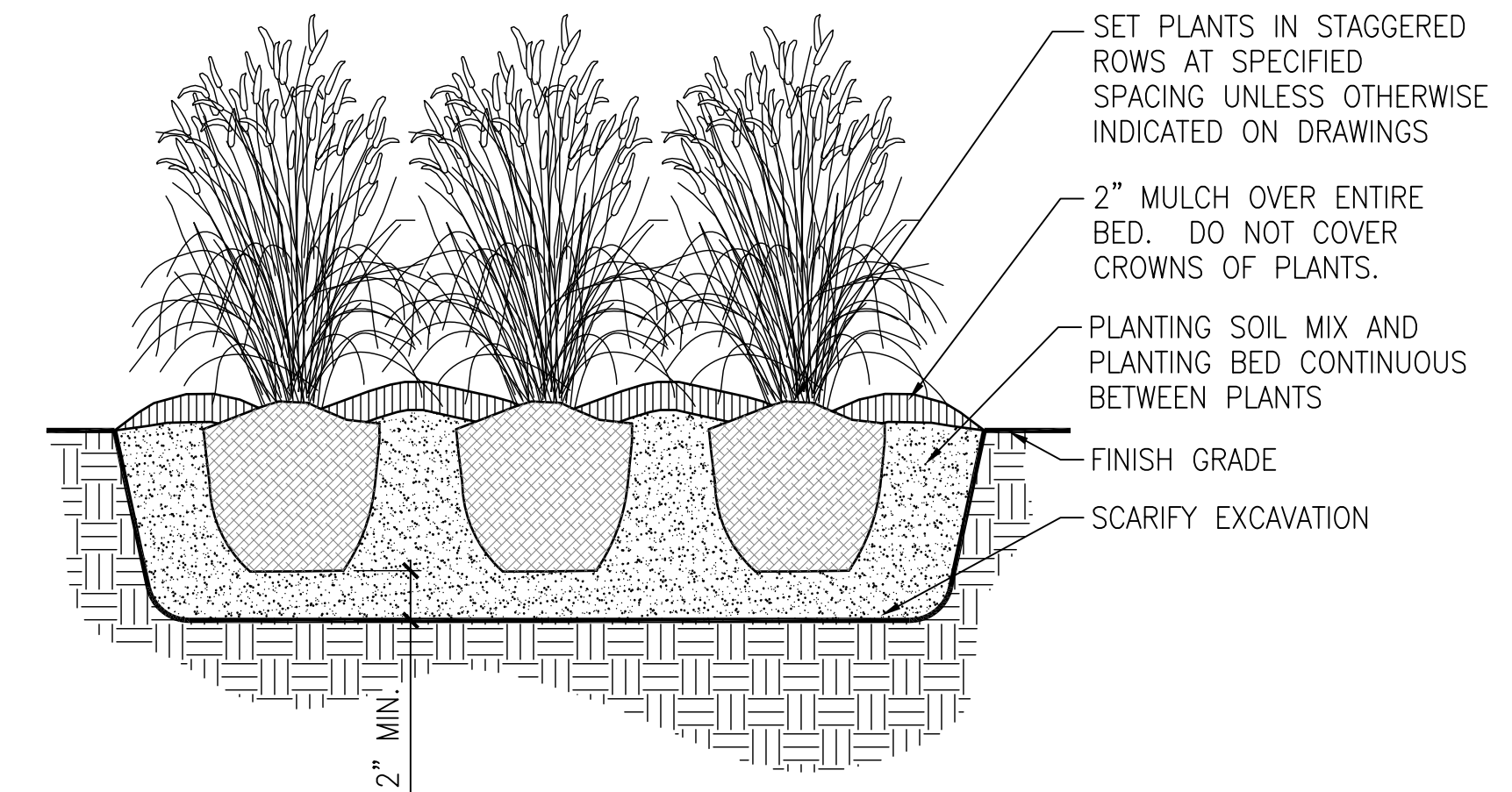




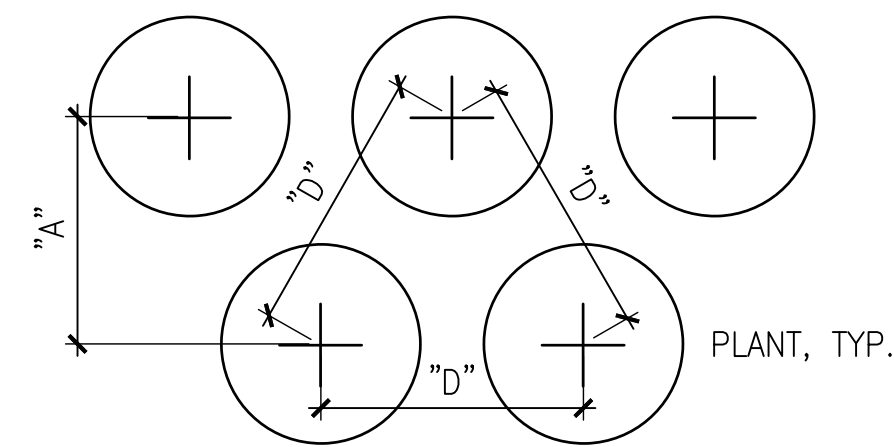
1 TREE PLANTING DETAIL – GUYING
SCALE: N.T.S. 0-06-Tree-Guying.dwg



2 SHRUB PLANTING DETAIL
SCALE: N.T.S. 0-06-Shrubs.dwg



3 PERENNIALS & ORNAMENTAL GRASSES
SCALE: N.T.S. 0-06-Perennials.dwg



PLANT SPACING "D"	ROW "A"
6" O.C.	5" O.C.
8" O.C.	7" O.C.
10" O.C.	9" O.C.
12" O.C.	10" O.C.
15" O.C.	13" O.C.
18" O.C.	16" O.C.
24" O.C.	20" O.C.
36" O.C.	26" O.C.

NOTE: INSTALL PLANTS WITH TRIANGULAR SPACING UNLESS OTHERWISE INDICATED ON DRAWINGS.

4 PLANT SPACING DETAIL
SCALE: N.T.S. 0-06-Spacing.dwg

PLANT SCHEDULE

KEY	QTY.	BOTANICAL NAME	COMMON NAME	SIZE	ROOT	SPACING	COMMENTS
LARGE DECIDUOUS TREES							
GD	6	<i>Gymnocladus dioicus</i>	Kentucky Coffeetree	2" CAL.	B&B	AS SHOWN	Full, Symmetrical, 7' Limbed Clear
NS	7	<i>Nyssa sylvatica</i>	Black Gum	2" CAL.	B&B	AS SHOWN	Full, Symmetrical, 7' Limbed Clear
PO	6	<i>Platanus occidentalis</i>	American Sycamore	2" Cal.	B&B	PER PLAN	Full, Symmetrical, 7' Limbed Clear
SMALL DECIDUOUS FLOWERING TREES							
CC	3	<i>Cercis canadensis</i>	Eastern Redbud	6'-8' HT.	B&B	AS SHOWN	Single-stem, Full, Symmetrical
CV	4	<i>Chionanthus virginicus</i>	Fringetree	2" Cal.	B&B	PER PLAN	Full, Symmetrical, Single-stem
LI	2	<i>Lagerstroemia indica</i> 'Catawba'	Catawba Crape Myrtle	6'-8' HT.	B&B	AS SHOWN	Single-stem, Full, Symmetrical
SHRUBS							
IG	37	<i>Ilex glabra</i> 'Shamrock'	Dwarf Inkberry	24-36" ht.	Container	PER PLAN	plants
IV	24	<i>Itea virginica</i> 'Henry's Garnet'	Virginia Sweetspire	12-18" ht.	Container	PER PLAN	Full
KL	13	<i>Kalmia latifolia</i>	Mountain Laurel	24-36" ht.	Container	PER PLAN	Full
ORNAMENTAL GRASSES AND PERENNIALS							
at	49	<i>Asclepias tuberosa</i>	Butterfly Milkweed	1 Gallon	Container	12" O.C.	
ed	56	<i>Eupatorium dubium</i> 'Little Joe'	Joe Pye Weed 'Little Joe'	1 Gallon	Container	24" O.C.	
mc	62	<i>Muhlenbergia capillaris</i>	Pink Muhly Grass	2 Gallon	Container	24" O.C.	
pp	38	<i>Phlox paniculata</i>	Summer Phlox	1 Gallon	Container	12" O.C.	
ss	59	<i>Schizachyrium scoparium</i>	Little Bluestem	2 Gallon	Container	18" O.C.	
sn	27	<i>Symphotrichum novi-belgii</i>	New York Aster	1 Gallon	Container	18" O.C.	

PLAN REVISIONS -

SHEET L202

SCALE

JORDAN'S POINT PARK
LEXINGTON, VIRGINIA

PLANTING DETAILS AND PLANTING SCHEDULE

DATE: 11/15/2023

ENGINEER: MT

CAD: MT

CHECKED: MA

JOB#

3101 WILSON BLVD
SUITE 900
ARLINGTON, VA 22201
TEL 703 682 4900
FAX 703 682 4901
www.aecom.com

